

## Stainless Steel-Folding handles

### SPECIFICATION

#### Types

- Type **A**: Thread for fixing from the back
- Type **B**: Through-hole for fixing from the operators side
- Type **C**: Fixed from the operators side by means of welding

#### Identification no.

- No. **1**: Handle 90° foldaway
- No. **2**: Handle 90° foldaway, with retaining spring
- No. **3**: Handle 180° foldaway
- No. **4**: Handle 180° foldaway, with retaining spring

Attachment part  
Stainless Steel precision casting  
AISI CF-8 **NI**

matte shot-blasted **GS**  
plastic coated (only type A and B)  
black, RAL 9005, textured finish **SW**

Handle  
Stainless Steel  
AISI 304  
matte shot-blasted

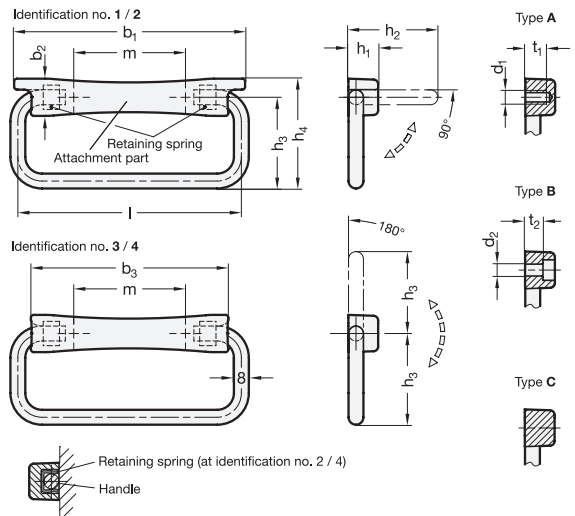
Retaining springs  
spring steel  
AISI 301

### INFORMATION

GN 425.9 Stainless Steel-Folding handles are used where the handle must only protrude a short distance in the resting position. Folding handles numbers 1 and 2 are suitable for side "access," as these have a 90° limit stop. If used from above, numbers 3 and 4 with a handle which can fold freely through 180° are a better version. The retaining springs of numbers 2 and 4 keep the handle in any position. This keeps the handle in a position which can be easily accessed and prevents noise as a result of vibration in the resting position. The handle and the retaining springs are secured by mounting the attachment across the entire surface. All components are supplied unassembled.

### TECHNICAL INFORMATION

- Stainless Steel characteristics (see page A26)



### GN 425.9

### STAINLESS STEEL

Description	l	b1	b2	b3	d1	d2	h1	h2 ≈	h3	h4	m	t1	t2	⚖
GN 425.9-120-NI-A-1-GS	120	124	20	106	M 6	6.4	16	53	49	59	60	10	9.6	266
GN 425.9-120-NI-A-1-SW	120	124	20	106	M 6	6.4	16	53	49	59	60	10	9.6	266
GN 425.9-120-NI-A-2-GS	120	124	20	106	M 6	6.4	16	53	49	59	60	10	9.6	267
GN 425.9-120-NI-A-2-SW	120	124	20	106	M 6	6.4	16	53	49	59	60	10	9.6	267
GN 425.9-120-NI-A-3-GS	120	124	20	106	M 6	6.4	16	53	49	59	60	10	9.6	259
GN 425.9-120-NI-A-3-SW	120	124	20	106	M 6	6.4	16	53	49	59	60	10	9.6	259
GN 425.9-120-NI-A-4-GS	120	124	20	106	M 6	6.4	16	53	49	59	60	10	9.6	262
GN 425.9-120-NI-A-4-SW	120	124	20	106	M 6	6.4	16	53	49	59	60	10	9.6	262
GN 425.9-120-NI-B-1-GS	120	124	20	106	M 6	6.4	16	53	49	59	60	10	9.6	256
GN 425.9-120-NI-B-1-SW	120	124	20	106	M 6	6.4	16	53	49	59	60	10	9.6	256
GN 425.9-120-NI-B-2-GS	120	124	20	106	M 6	6.4	16	53	49	59	60	10	9.6	258
GN 425.9-120-NI-B-2-SW	120	124	20	106	M 6	6.4	16	53	49	59	60	10	9.6	258
GN 425.9-120-NI-B-3-GS	120	124	20	106	M 6	6.4	16	53	49	59	60	10	9.6	246
GN 425.9-120-NI-B-3-SW	120	124	20	106	M 6	6.4	16	53	49	59	60	10	9.6	246
GN 425.9-120-NI-B-4-GS	120	124	20	106	M 6	6.4	16	53	49	59	60	10	9.6	247
GN 425.9-120-NI-B-4-SW	120	124	20	106	M 6	6.4	16	53	49	59	60	10	9.6	247
GN 425.9-120-NI-C-1-GS	120	124	20	106	M 6	6.4	16	53	49	59	60	10	9.6	270
GN 425.9-120-NI-C-2-GS	120	124	20	106	M 6	6.4	16	53	49	59	60	10	9.6	269
GN 425.9-120-NI-C-3-GS	120	124	20	106	M 6	6.4	16	53	49	59	60	10	9.6	264
GN 425.9-120-NI-C-4-GS	120	124	20	106	M 6	6.4	16	53	49	59	60	10	9.6	258